

SAFETOR ROOF ANCHORS

... when your life is on the line!!

All Safetor anchors are Certified to: AS/NZS 5532.2013, AS/NZS 1891.2.2001 and AS/NZS 1891.4 2009

Safetor intermediate anchor : SEO15HPI-12mm-16mm

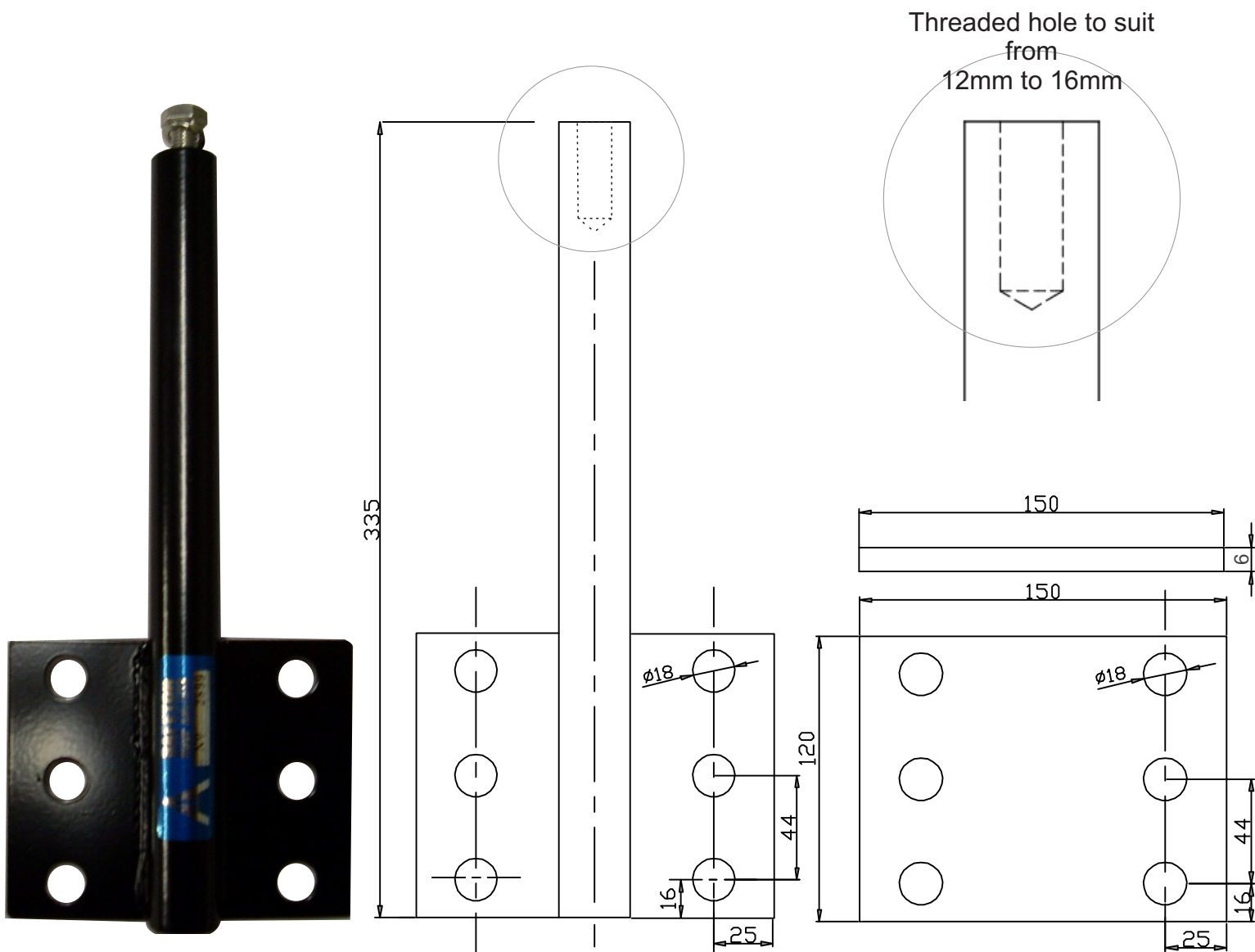
ANCHOR TYPES AND CAPABILITIES

This Safetor intermediate anchor is used for attaching horizontal lifelines to.

Complies to AS/NZS 5532.2013 Standards

Application as per AS/NZS 1891.4.2000

* Horizontal lifelines-22kN



Installation

The installation should only be carried out by a competent person as set out in the AS/NZS 1891.4:2009 Standards. CCL provides a warranty on product performance of the anchor and not the structure. It is the responsibility of the Installer, Building Designer or Building Owner to ensure that the structure to which the anchor is attached to will support a load of at least 22kN as set out in the AS/NZS 1891 series of Standards.

If there is any doubt about the structures adequacy a Structural Engineer should be consulted